

6164

6164

MA3

MA3

MA2

MA1

MA0

MA7

MA6

MA5

MA4

MA3

MA2

MA1

MA0

MA7

MA6

MA5

MA4

MA3

MA2

MA1

MA0

MA7

MA6

MA5

MA4

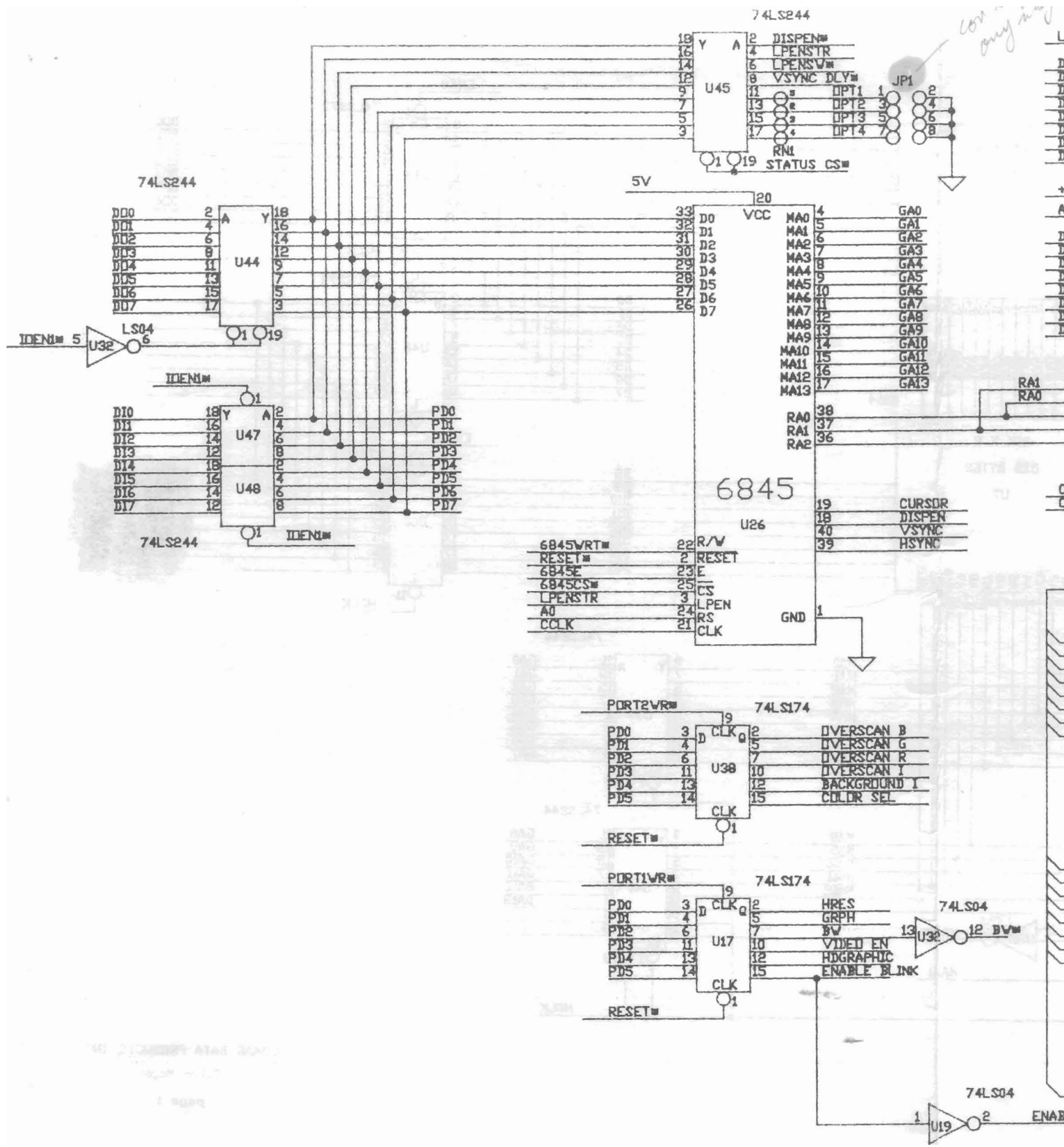
MA3

MA2

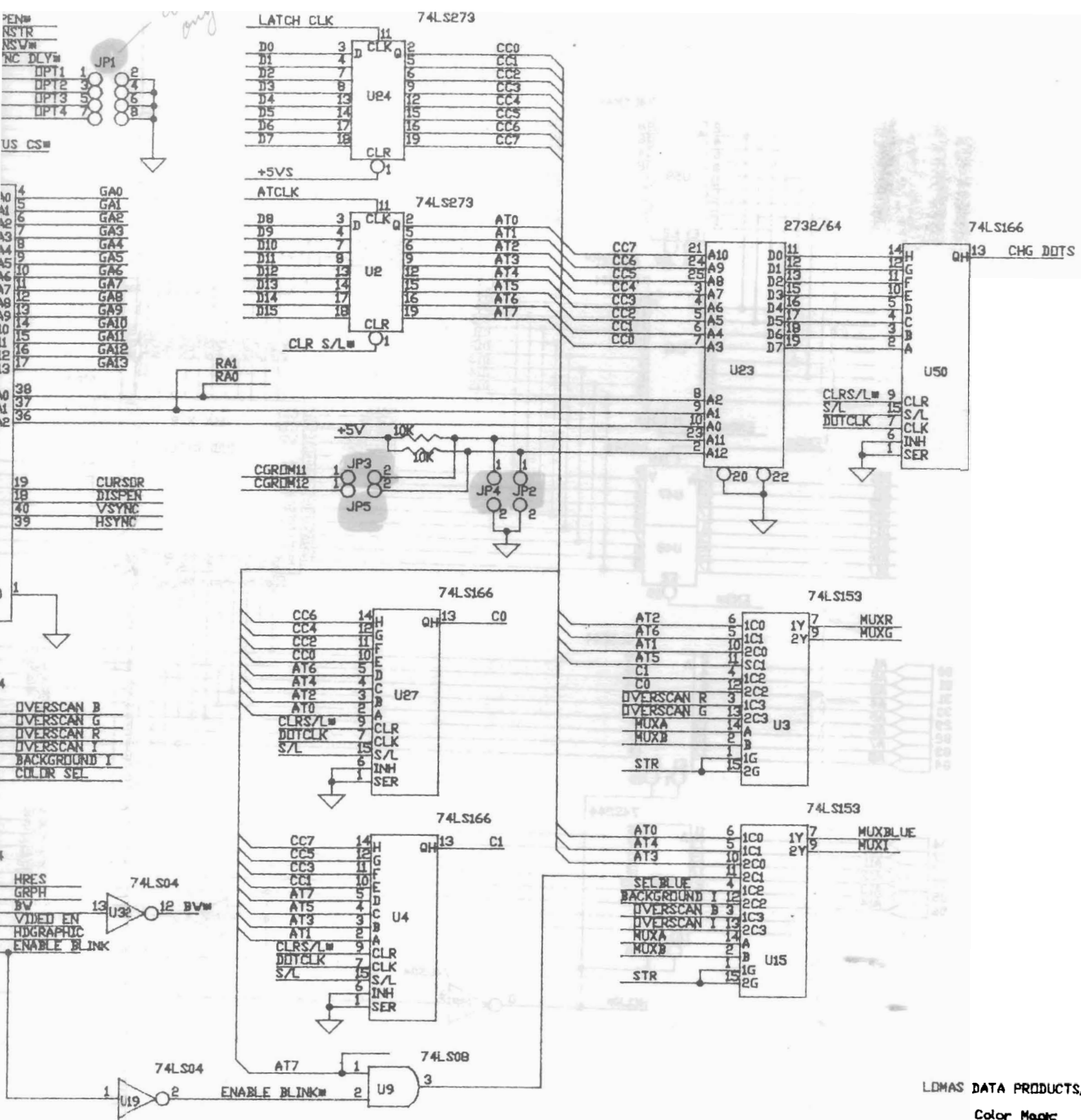
MA1

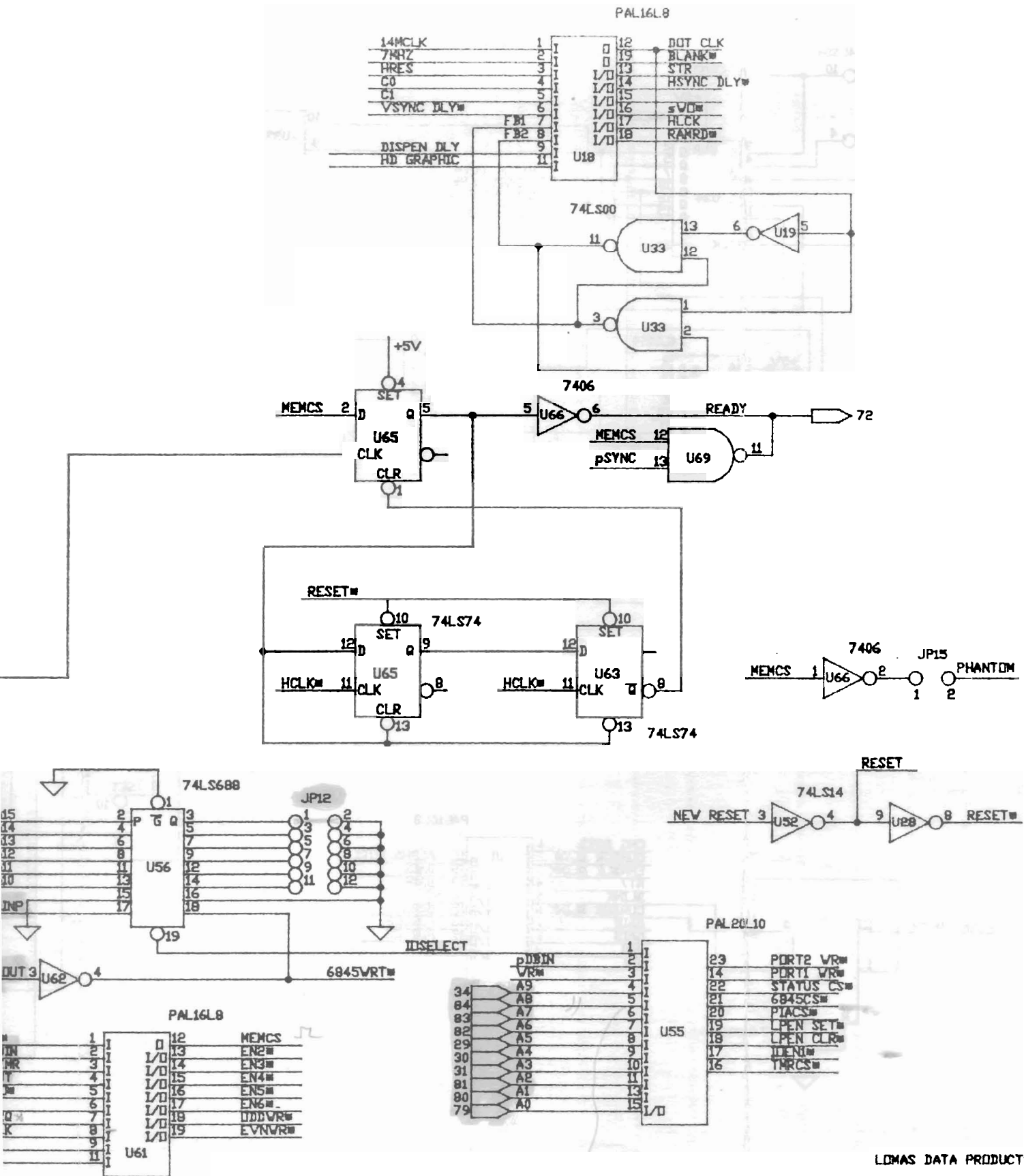
MA0

PORT 2 DP
 10V
 any in

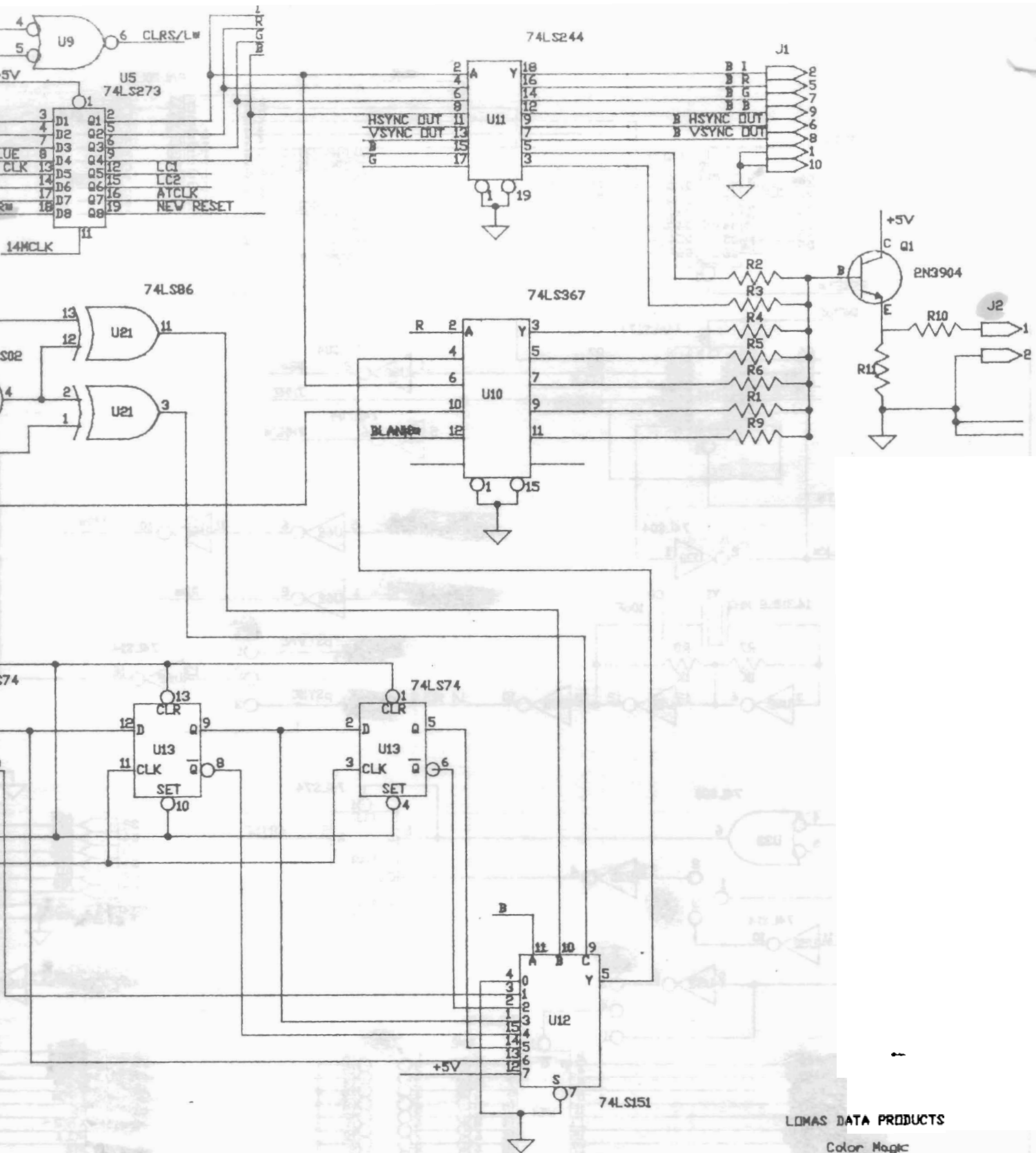


DORT 3DA
 wanted a chip for
 240





67

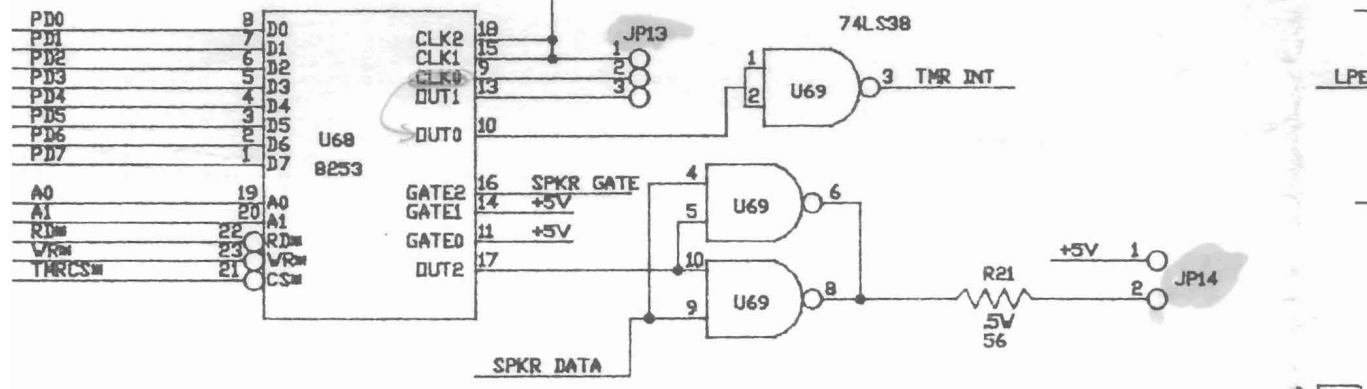
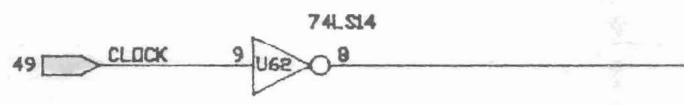
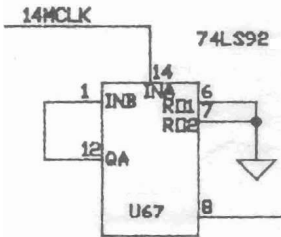
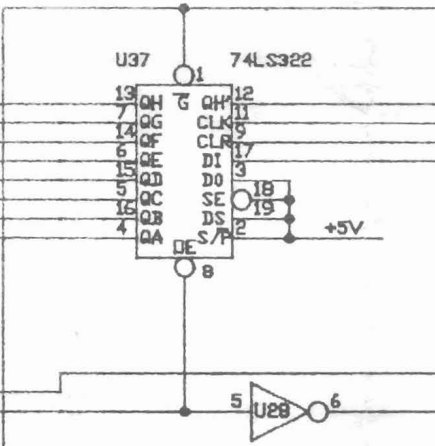
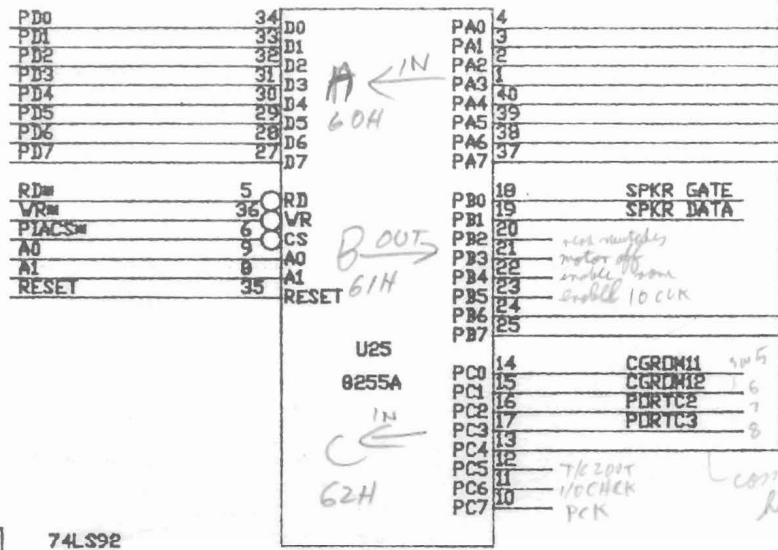


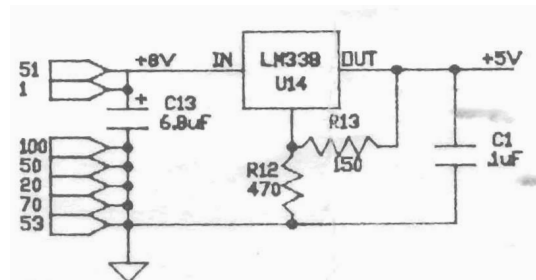
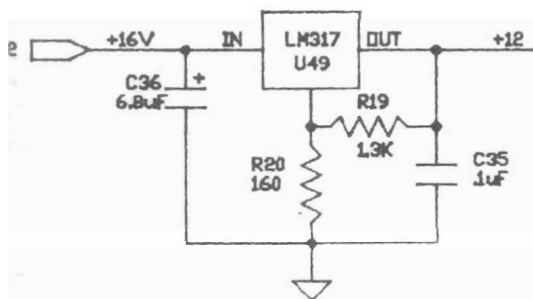
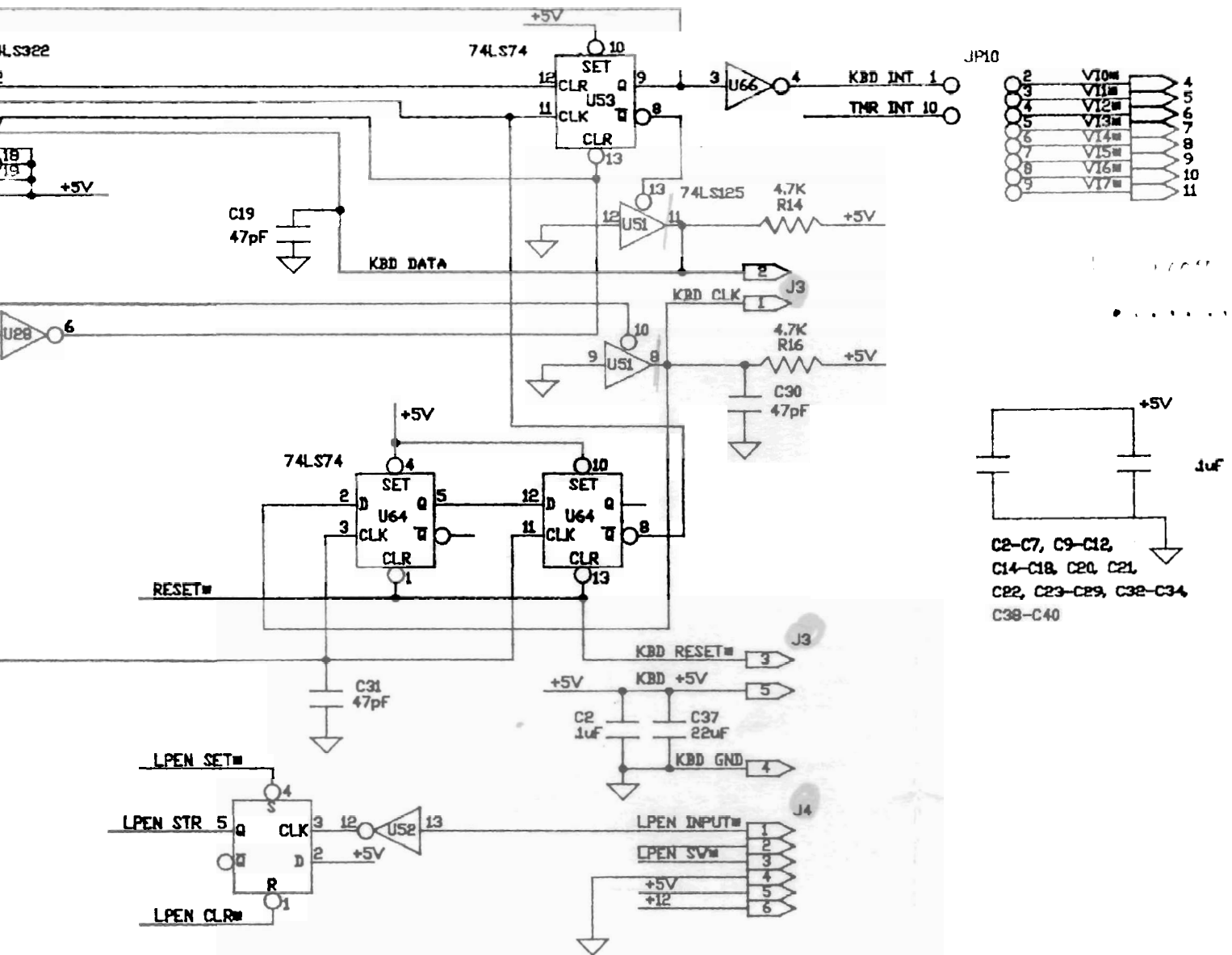
LOMAS DATA PRODUCTS

Color Magic

page 4

A = 60H
 B = 61H
 STATUS = 63H





LIMAS DATA PRODUCTS

Color Magic

page 5